

TECMIC PKT320-CM150

Pocket Spring Machine Advanced



THE LATEST AND ADVANCED MODEL

TECMIC have released the latest and advanced model of Pocket Spring Machine, pursuing

- Shape and quality of pocket spring,
- Stable and diverse machine performance,
- Simple mechanism, operation and maintenance.

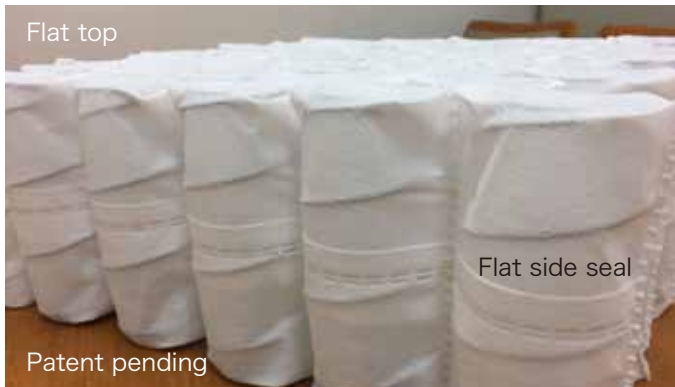


Matsushita Industrial Co., Ltd.

Address: 7-1-24, Uehonmachi, Tennoji-ku, Osaka, Japan, Post code: 543-0001
TEL: +81-6-6774-6002 E-mail: info@tecmic.co.jp <http://www.tecmic.co.jp/english>

Characteristics

- Stable Speed : 120 pcs/min.
- Smart Pocket : Flat top and Flat side seal
- Double Seal of Different Pitch : 0-30mm



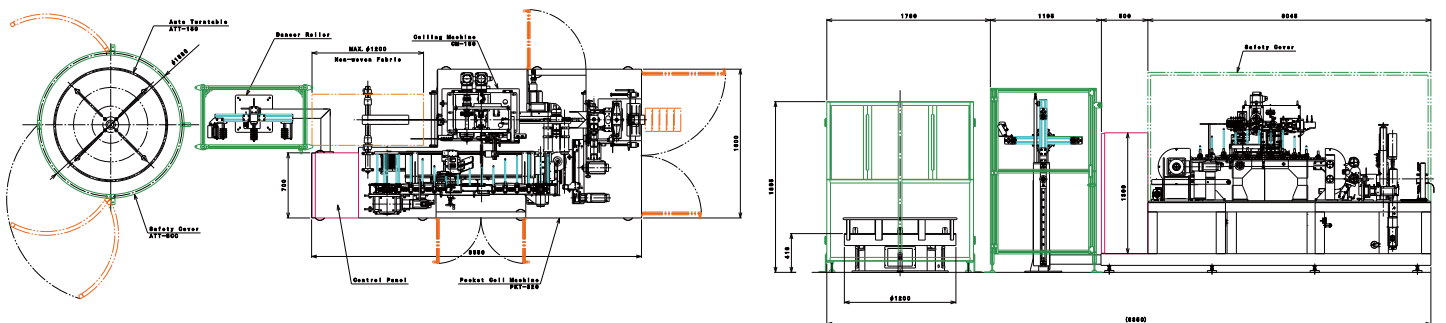
- Two Solutions of Heat Treatment : user selectable
 1. Wire heat treatment (pre-coiling)
 2. Spring heat treatment (post-coiling)
- Temperature Display of
Wire Heat Treatment : 200~300°C



Temp. sensor



Operation panel

Machine Layout**Specifications**

Model	PKT320-CM150 Pocket Spring Machine Advanced
Speed	120 pcs/min.
Spring dia.	40-70 mm
Pocket height	100-210 mm
Wire gauge	1.2-2.2 mm (note*)
Non-woven fabric width	280-550mm
Electricity	200V, 40KVA
Air	20 l/min.(ANR) at 0.5MPa
Data	256 kinds of pocket spring size are possible to store in the machine and saved in USB flash drive.



(note*)

Wire gauge 1.0 mm is possible depending on the spring size.

(Example)

Center dia. : 35mm

Spring height : 180mm

Pocket height : 150mm